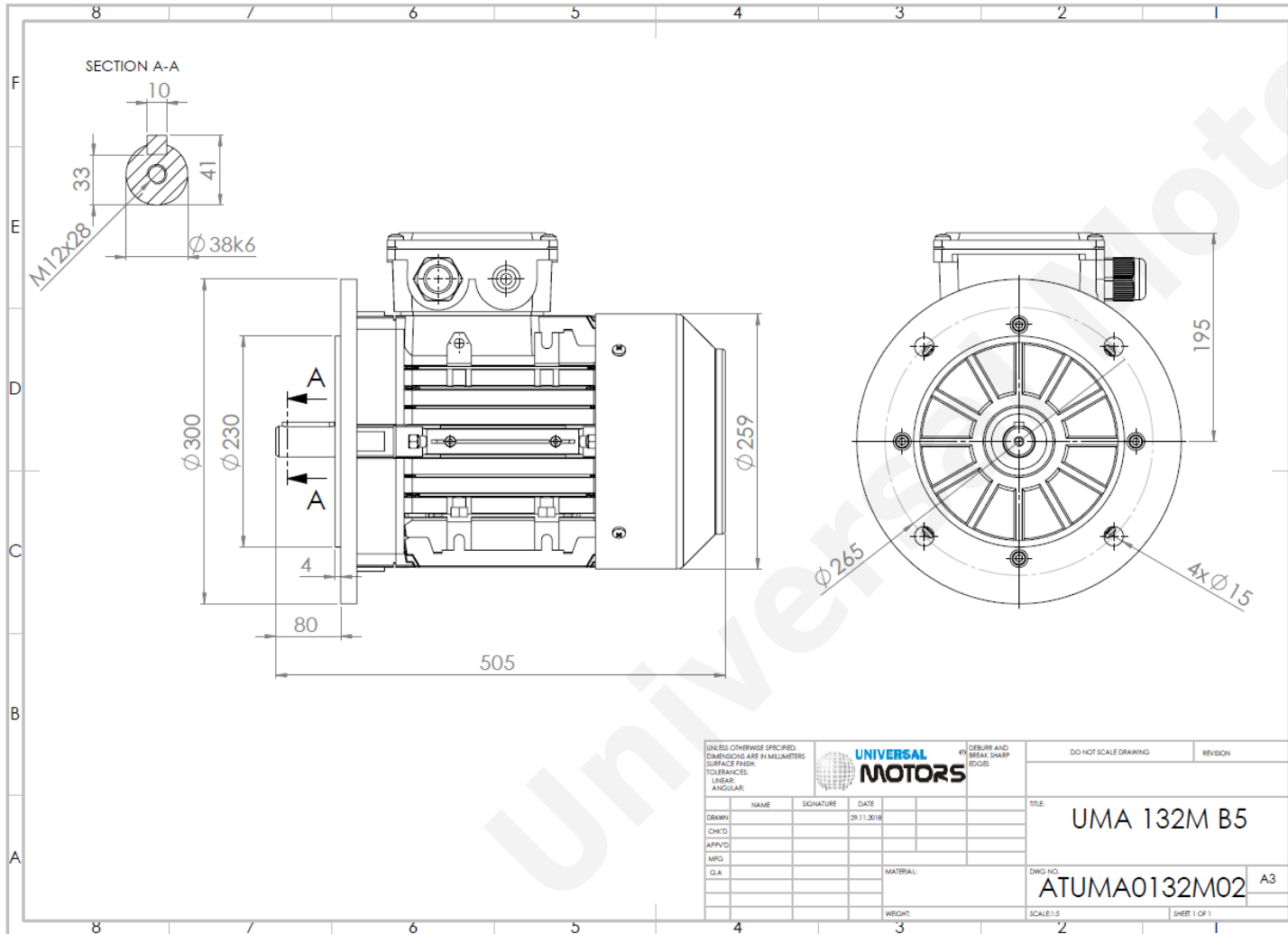




# TECHNICAL DATA

Three Phase Electric Motors - Aluminum Frame  
 UM2A 132M1-4  
 7.5 kW / 10 Cv  
 1460 RPM



Motor type:	<b>UM2A 132M1-4</b>
Output:	<b>7.5 kW / 10 Cv</b>
Speed (min <sup>-1</sup> ):	<b>1460 RPM</b>
Frequency:	<b>50 Hz</b>
Voltage:	<b>400 V</b>
Current:	<b>14.7 A</b>
Power factor (Cos Ø):	<b>0.83</b>
Poles:	<b>4</b>
Insulation class:	<b>F</b>
Temperature rise Class:	<b>B</b>
Efficiency 50%:	<b>88.6 %</b>
Efficiency 75%:	<b>89.4 %</b>
Efficiency 100%:	<b>88.7 %</b>
Torque:	<b>49 N.m</b>
Tstarting/Tnominal:	<b>2.7</b>
Istarting/Inominal:	<b>8.9</b>
Tmaximum/Tnominal:	<b>3.2</b>
Noise:	<b>71 Db(A)</b>
Weight:	<b>54.5 Kg</b>
Brake AC:	<b>AC7</b>
Torque Brake DC:	<b>8 N.m</b>
Bearing DE:	<b>6308 2Z</b>
Bearing NDE:	<b>6208 2Z</b>
Torque Brake AC:	<b>90 N.m</b>
Brake DC:	<b>REB-05-16</b>

UNLESS OTHERWISE SPECIFIED, DIMENSIONS ARE IN MILLIMETERS			UNIVERSAL MOTORS	DEBURR AND BREAK SHARP EDGES	DO NOT SCALE DRAWING	REVISION
SURFACE FINISH: TOLERANCES: LINEAR: ANGULAR:						
DRAWN	NAME	SIGNATURE	DATE	TITLE: <b>UMA 132M B5</b>		
CHK'D			29.11.2016	DWG. NO: <b>ATUMA0132M02</b>		
APP'VD				SCALE: 1:1		
MFG				SHEET 1 OF 1		
Q.A.				MATERIAL:		
				WEIGHT:		

Regime - S1

Altitude - 1000m

Environment Temperature - 40°C

## CONTACTS:

UNIVERSAL MOTORS Tel: +351 252 299 080  
 Rua de São Brás, 745 Fax: +351 252 299 089  
 4480-782 VILA DO CONDE Mail: [geral@universalmotors.pt](mailto:geral@universalmotors.pt)

\* References applied only in the UK